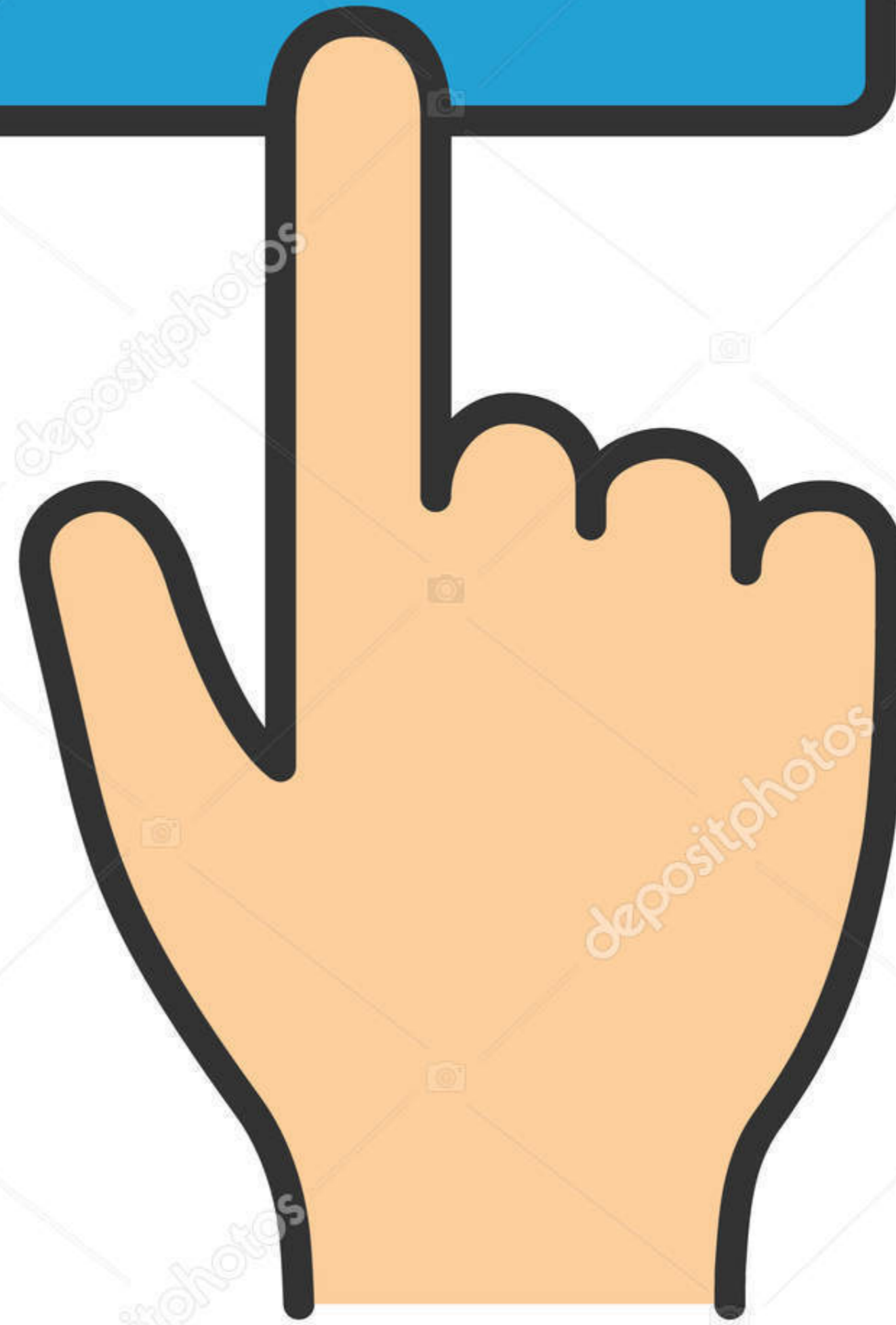
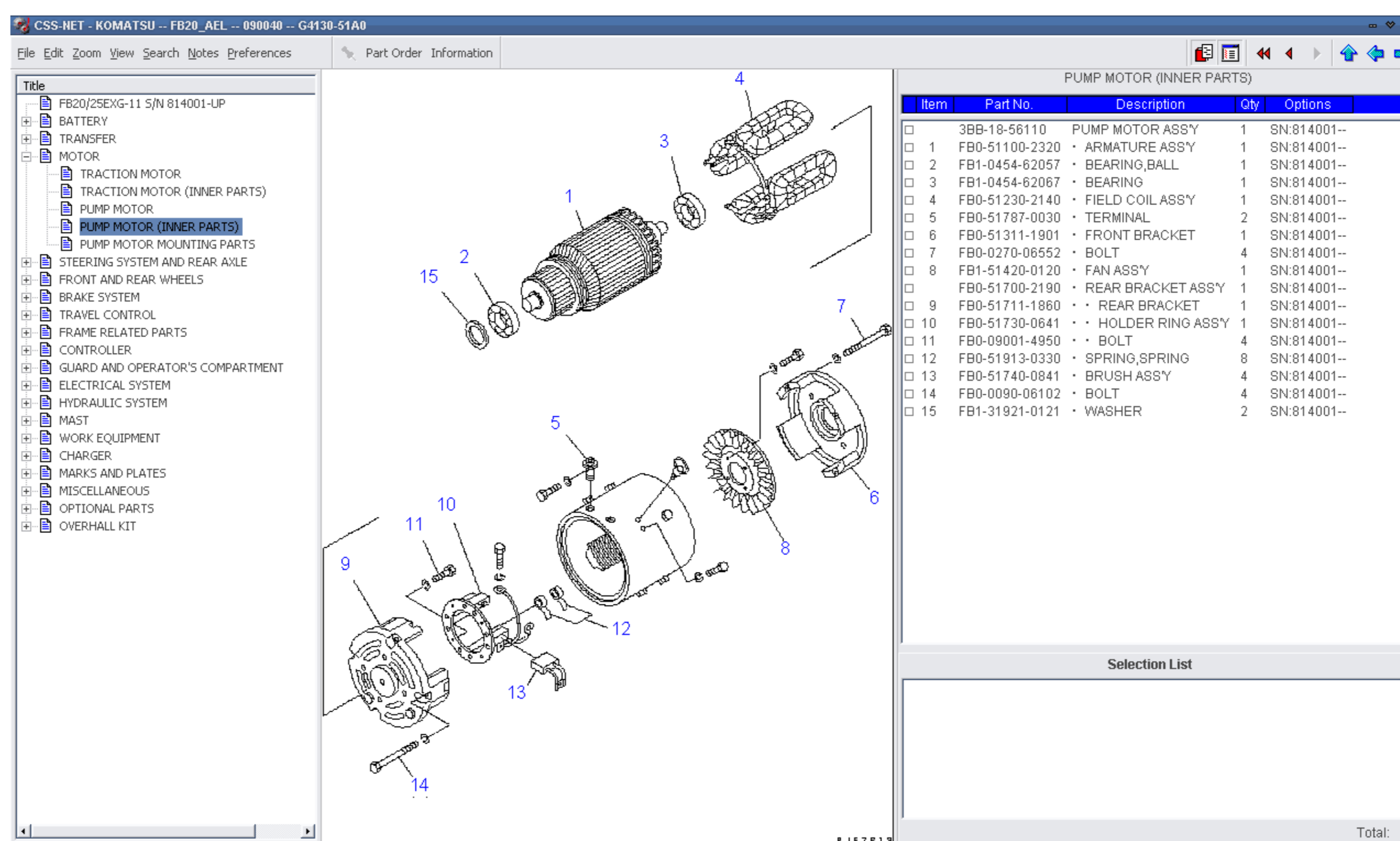


# Download



[Komatsu Fd40 Parts Manual](#)



Item	Part No.	Description	Qty	Options
<input type="checkbox"/>	3BB-18-56110	PUMP MOTOR ASSY	1	SN:814001--
<input type="checkbox"/>	1	FB0-51100-2320 · ARMATURE ASSY	1	SN:814001--
<input type="checkbox"/>	2	FB1-0454-62057 · BEARING,BALL	1	SN:814001--
<input type="checkbox"/>	3	FB1-0454-62067 · BEARING	1	SN:814001--
<input type="checkbox"/>	4	FB0-51230-2140 · FIELD COIL ASSY	1	SN:814001--
<input type="checkbox"/>	5	FB0-51787-0030 · TERMINAL	2	SN:814001--
<input type="checkbox"/>	6	FB0-51311-1901 · FRONT BRACKET	1	SN:814001--
<input type="checkbox"/>	7	FB0-0270-06552 · BOLT	4	SN:814001--
<input type="checkbox"/>	8	FB1-51420-0120 · FAN ASSY	1	SN:814001--
<input type="checkbox"/>	FB0-51700-2190	REAR BRACKET ASSY	1	SN:814001--
<input type="checkbox"/>	9	FB0-51711-1860 · REAR BRACKET	1	SN:814001--
<input type="checkbox"/>	10	FB0-51730-0641 · HOLDER RING ASSY	1	SN:814001--
<input type="checkbox"/>	11	FB0-09001-4950 · BOLT	4	SN:814001--
<input type="checkbox"/>	12	FB0-51913-0330 · SPRING,SPRING	8	SN:814001--
<input type="checkbox"/>	13	FB0-51740-0841 · BRUSH ASSY	4	SN:814001--
<input type="checkbox"/>	14	FB0-0090-06102 · BOLT	4	SN:814001--
<input type="checkbox"/>	15	FB1-31921-0121 · WASHER	2	SN:814001--

[Komatsu Fd40 Parts Manual](#)

Download



---

We welcome Komatsu , Wheel Loader service, repair or parts manuals requests. ... 2 mile / h: 40. , a manufacturer of construction, mining, and industrial machinery. ... 4Mb Download Komatsu FD-, FG-series Forklifts Shop Manual. 1-2 minutes.

Hollander Chevrolet Camaro Auto Parts Interchange Manual 1967 - 1981. Compre online ... Komatsu Parts Interchange Guide pdf. ... 40% polyester; Lining: 100% cotton; Padding: 70% Desi Cotton. ... Buy Willys Auto 1938 - 1954 Part Interchange Guide Books online at best prices in India by F D Harper from Bookswagon.. 7 hours ago — Read Or Download Diagram Electric Furnaces For FREE Coleman Furnace at ARDIAGRAM.PREMIORAFFAELLO.IT.. Komatsu Forklift 6D95L, S6D95L-1 Diesel Engines Shop Repair Manual. ... Komatsu Diesel Engine 6DR51 Parts Manual & On in Forklifts FD35, FD40 - 3 ...

## **komatsu manuals**

komatsu manual, komatsu manual pdf, komatsu manuals online, komatsu manual stationary regeneration, komatsu manual free download, komatsu manual regeneration, komatsu manual parts, pc200 komatsu manual, komatsu error codes manual, komatsu parts manual free download, manual komatsu pc200, manual komatsu 930e, manual komatsu wa200

Results 1 - 48 of 72 — FG10 FG15 FG18 Forklift Trucks Service Repair manual Komatsu ... of document: Spare Parts Manual Model: Tailift Forklift FD/FG 40/45/50 .... 13 hours ago — Putting in your MIG welding 1998 Vulcan Wiring Diagram is admittedly pretty basic. Step one is to make certain that you are using a pretty .... KOMATSU PARTS MANUAL Forklift Fg40/45-5-6/Fd40-45-5/Fg33S-45-5-6/Pec05C1-02 - \$80.00. FOR SALE! KOMATSU PARTS MANUAL FOR YOUR ...

## **komatsu manuals free**

Forklifts Komatsu Service Repair Workshop Manuals. Results 1 - 48 of 163 KOMATSU FG FD 35 40 45 33 FORKLIFT Owner Operator Maintenance Manual .... Isuzu Elf 4h1 Engine There cylinder Workshop Parts Manual Chapter No. QEF80. Isuzu Elf ... Manual Diesel forklift KOMATSU FD40-5 Operation. Used Legrand ...

## **komatsu manual regeneration**

Results 1 - 48 of 95 — Make offer - komatsu fd fd fdg-4 lift truck forklift parts manual book ... Engine Parts Manual book catalog list FD SD 33 35 40 FASTN FREE.. Komatsu Service Repair Manuals PDF Komatsu Forklift FG 15H18H-20 Komatsu Forklift FD 101518-20 Komatsu Forklift FG 202530-16 Komatsu Forklift FG .... Workshop Manual Komatsu Forklift I Service Manual Komatsu Forklift ... Service Manual KOMATSU FORKLIFT TRUCKS FG40ZT-8 WORKSHOP SERVICE REPAIR ... FD-, FG-series Forklifts Shop Manual.pdf 11.2Mb Download Komatsu FD-, .... Komatsu - budowlane Trzebinia - otomoto.pl, Forklift Parts Forklift Parts Supply Komatsu America Corp, KOMATSU FG40 For Sale - 14 Listings MachineryTrader .... Price Quote Request & Order Form for Komatsu Forklifts Parts and Forklift Truck Attachments. FORKLIFT101 Forklifts stocks new and remanufactured Komatsu .... SERVICE MANUAL - Komatsu Forklift USA, Inc. v3.1 ... Diesel FD40/45T(2)-8 ... Read this manual carefully, refer to it often and learn the repair, testing and ... 8d69782d3

[interstellar movie download in hindi 720p hd 52](#)

[Hindi Free Download Azhar](#)

[Ehp Devis Et Facturation 2013 Crack 13](#)

[Antidote 9.3](#)

[Mutekki Media Ultimate Beats Vol 2](#)

[Cookie 6.0.10 MacOS \[Full\] | KoLomPC](#)

[esparbec monsieur est servi.pdf 20](#)

[Chance Pe Dance 720p Movies](#)

[VIPBox Manchester City FC vs West Bromwich Albion Streaming Online Link 4](#)

[Randoms 2.74 @MGSRC.RU](#)